

Destinatar

Firma
Referinta
Adresa
Phone
Fax
E-mail

Expeditor

Cod articol :

60194426

Articol:

E.SWIM 150 GAS

Date pompa

Presiune nominala: 2,5 bar (250 kPa)
Temperatura min. fluid 0 °C
Temperatura max. fluid 40 °C
Temperatura max. ambianta 50 °C

Date de functionare cerute

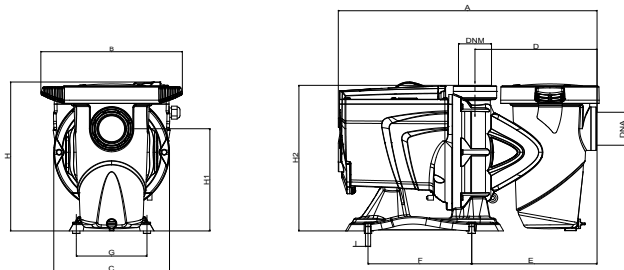
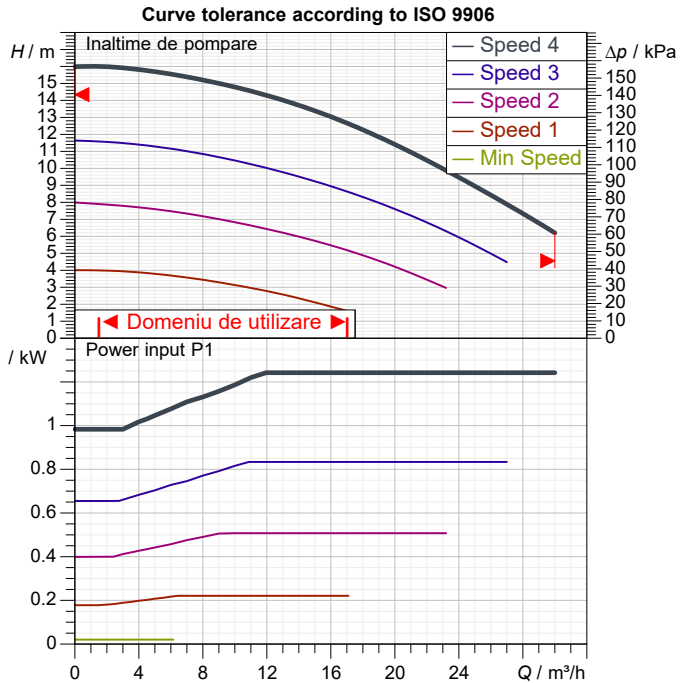
Debit :
Inaltime de pompare :
Fluid pompat : Apă
Temperatura fluid: 20 °C
Densitate 998.3 kg/m³
Vascozitate cinematica: 1.005 mm²/s
Presiune de vapori: 2.34 kPa

Date disponibile:

Debit :
Inaltime de pompare :

Materiale

Corp pompa Reinforced technopolymer
Rotor Reinforced technopolymer
Difuzor Reinforced technopolymer
Filtru Tecnopolimer
Etansare mecanica Carbon/Alumina/NBR/AISI316
Capac filtru Polycarbonate
O-ring NBR



Masa 19 kg

Date motor

Marca : DAB
Putere absorbita P1 1.25 kW
Viteza nominala: 4500 1/min
Tensiune nominala : 1~ 230 V 50 Hz
Curent nominal : 5.6 A
Grad de protectie: IP X5

Dimensiuni de gabarit mm

| | |
|-----|-----|
| A | 550 |
| B | 300 |
| C | 245 |
| D | 259 |
| DNA | 2" |
| DNM | 2" |
| E | 266 |
| F | 220 |
| G | 150 |
| H | 316 |
| H1 | 217 |
| H2 | 309 |
| I | 11 |

Racorduri pompa:

Partea cu aspiratia: 2" G / 2,5 bar (250 kPa)
Partea cu refularea: 2" G / 2,5 bar (250 kPa)

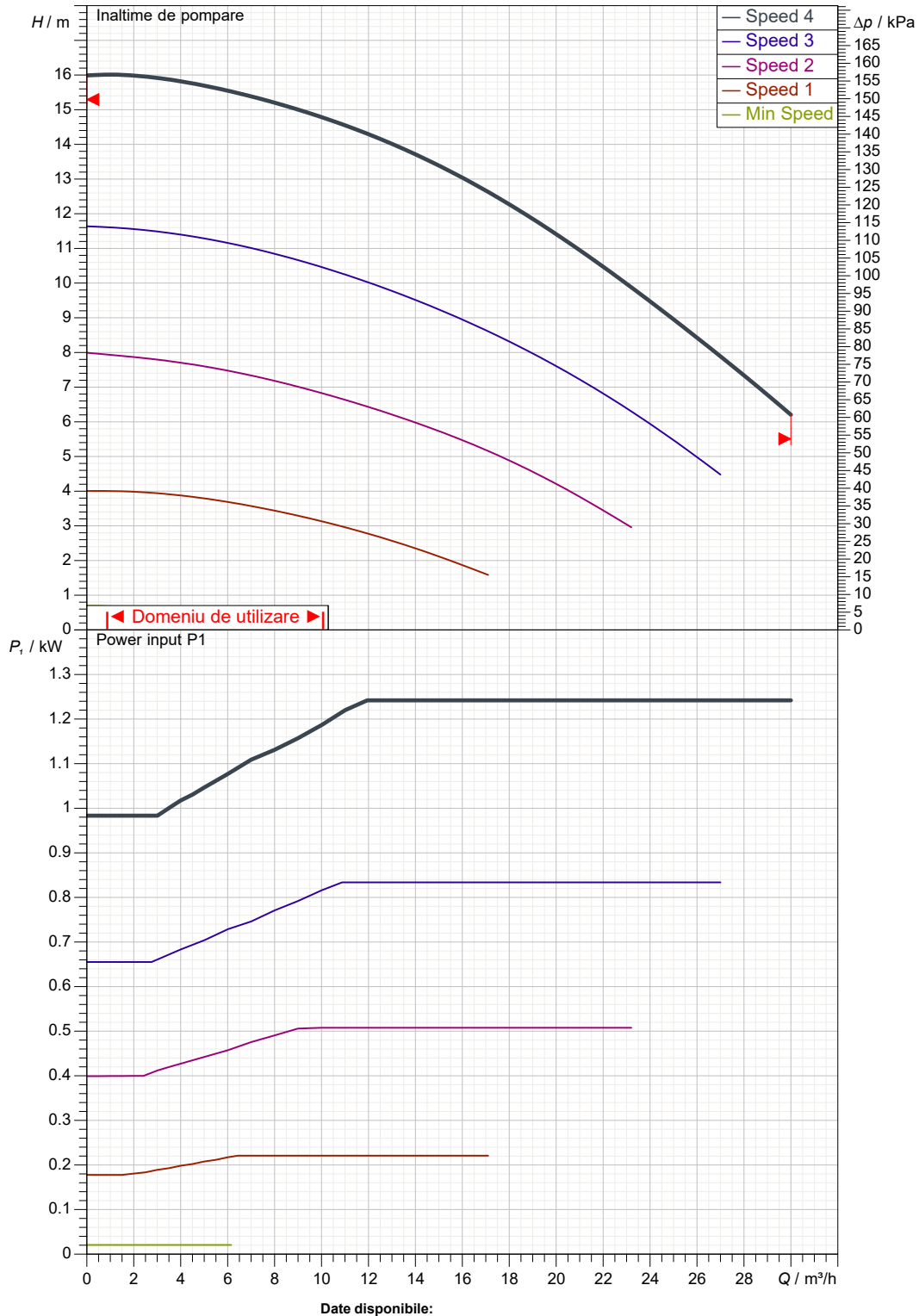
Destinatar

Expeditor

 Firma
 Referinta
 Adresa
 Phone
 Fax
 E-mail

E.SWIM 150 GAS

Curve tolerance according to ISO 9906


 Partea cu aspiratia:
 2" G
 2,5 bar (250 kPa)

 Partea cu refularea:
 2" G
 2,5 bar (250 kPa)

Debit :

Înaltime de pompare :

 Viteza nominala:
 4500 1/min

MAIN_PROJECT_TITLE

BUSINESS_PROCESS_IT

OWNER_

ISSUE_DATE



DESEN DIMENSIONAL

04/16/202

Pagina 3 / 3

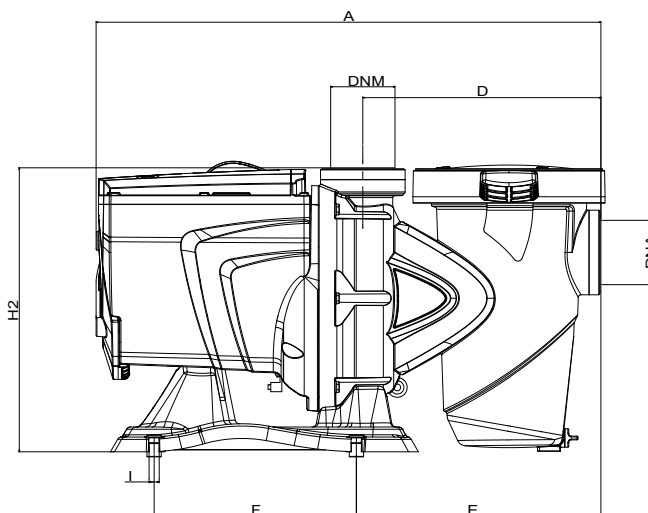
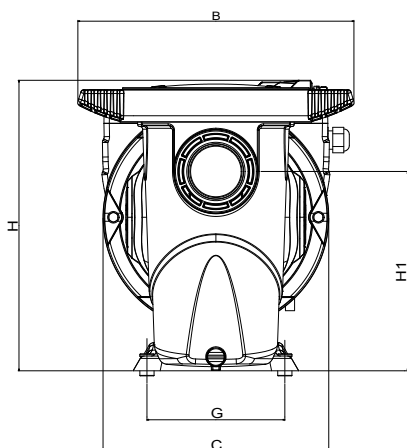
DAB PUMPS S.p.A.
Via Marco Polo, 14 - 35035 Mestrino (PD), Italy
Tel. +39 049 5125000 - Fax +39 049 5125950
www.dabpumps.com

Destinatar

Expeditor

Firma
Referinta
Adresa
Phone
Fax
E-mail

E.SWIM 150 GAS



Dimensiuni in mm

| | | | | |
|----|-----|-----|---|----|
| 1 | A | 550 | I | 11 |
| 2 | B | 300 | | |
| 3 | C | 245 | | |
| 4 | D | 259 | | |
| 5 | DNA | 2" | | |
| 6 | DNM | 2" | | |
| 7 | E | 266 | | |
| 8 | F | 220 | | |
| 9 | G | 150 | | |
| 10 | H | 316 | | |
| 11 | H1 | 217 | | |
| 12 | H2 | 309 | | |

Racorduri pompa:

Aspiratie
2" G
2,5 bar (250 kPa)

Refulare
2" G
2,5 bar (250 kPa)

MAIN_PROJECT_TITLE

BUSINESS_PROCESS_ID

OWNER

ISSUE_DATE